

# Attic Stairways

BES

# BESSLER

## DISAPPEARING STAIRWAYS

-SINCE 1909-

### Features:

- 1" x 6" one-piece stringers and treads
- Full length handrail
- 600 lb. capacity



<b>Model 26 Truss</b>	<b>Item #</b>	<b>Floor to Floor (A)</b>	<b>Rough Opening</b>	<b>List</b>
<ul style="list-style-type: none"> <li>▪ Designed to fit between 24" O.C. trusses</li> <li>▪ Finished frame to be installed in a rough opening</li> <li>▪ 14" Ladder Width</li> <li>▪ Delivered in 2 cartons</li> <li>▪ Fits standard size folding stairway openings.</li> </ul>	26T-3	8'5" - 8'10"	22-1/2" x 54"	1170.00
	26T-4	8'11" - 9'4"	22-1/2" x 54"	1194.00
	26T-5	9'5" - 9'10"	22-1/2" x 60"	1242.00
	26T-6	9'11" - 10'4"	22-1/2" x 60"	1266.00
	26T-7	10'5" - 10'10"	22-1/2" x 74"	1338.00
	26T-9	11'5" - 11'10"	22-1/2" x 74"	1482.00

<b>Model 30 Truss</b>	<b>Item #</b>	<b>Floor to Floor (A)</b>	<b>Panel Opening*</b>	<b>List</b>
<ul style="list-style-type: none"> <li>▪ Designed to fit between 24" O.C. trusses</li> <li>▪ Must be installed in a finished opening</li> <li>▪ 17-1/16" Ladder Width</li> <li>▪ Delivered in 3 cartons</li> </ul>	30-3	8'5" - 8'10"	22-1/2" x 5'6"	1023.00
	30-4	8'11" - 9'4"	22-1/2" x 5'6"	1044.00
	30-5	9'5" - 9'10"	22-1/2" x 6'0"	1101.00
	30-7	10'5" - 10'10"	22-1/2" x 6'0"	1200.00

\*This unit requires rough and finished openings to be the same size as the panel opening.

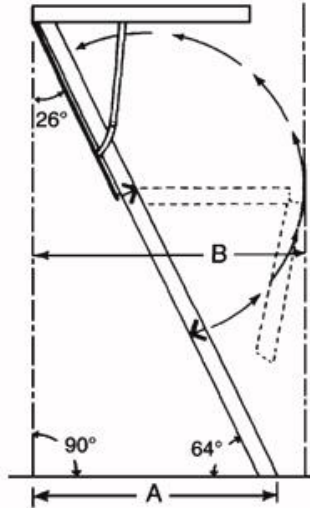
<b>Model 70</b>	<b>Item #</b>	<b>Floor to Floor (A)</b>	<b>Panel Opening*</b>	<b>List</b>
<ul style="list-style-type: none"> <li>▪ Must be installed in a finished opening</li> <li>▪ 18-7/8" Ladder Width</li> <li>▪ Delivered in 3 cartons</li> </ul>	70-3	8'5" - 8'10"	2'6" x 5'6"	1182.00
	70-4	8'11" - 9'4"	2'6" x 5'6"	1203.00
	70-5	9'5" - 9'10"	2'6" x 6'0"	1284.00
	70-7	10'5" - 10'10"	2'6" x 6'0"	1383.00

\*Rough opening should be 2" wider and longer than the panel size shown.

**Note:** All disappearing stairways must have sufficient room above to operate.  
Please refer to the Bessler brochure.

# Attic Stairways

**HUSKY** Folding Stairways



Model 444

- Pre-drilled Installation Holes
- Full Width Heavy Duty Piano Hinge reaches across the entire width of stairway. That means far more strength and rigidity than any other stairway hinge now in use. Cuts out air leakage at head of stair and does not interfere with trim carpenter.
- Easy First Step Out of Attic for enhanced personal safety.
- Steel Ladder Rod Under Each Tread. 3/16" Ladder rod with large washers to keep HUSKY stairs rigid and prevent bending or separation under heavier loads.
- Selected Kiln Dried Southern Pine Lumber
- All wood parts selected for density and load bearing capability.
- Reinforced Door Panel
- Spacer and Runner Construction on Door to Prevent Warpage.
- Molded Stringers, Handrail, and Treads
- Eased edges practically eliminate splinters & enhance finished millwork appearance.
- Safety Locknut to Secure Spring Arm to Ladder Section.
- Adjustable Spring Tension.
- Nuts, Bolts, and Hardware Plated or Painted to Prevent Rust, no welded hardware.
- Completely Assembled, ready to install with instructions supplied.

**For Residential Use Only.**

## Husky Model 444

- 1 x 4 Treads, 1 x 4 Stringer, 1 x 4 Frame, Rated 250 lbs.

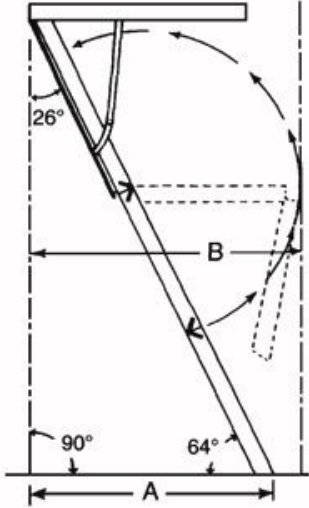
Rough Opening	Ceiling Height	# of Treads	A Landing	B Projection	Item	List
22" x 48"	8'5"	10	56"	60"	22540	239.00
22" x 54"	8'9"	11	58"	66"	22840	239.00
22" x 54"	10'	13	65"	79"	22140	258.50
25.5" x 48"	8'5"	10	56"	60"	25540	239.00
25.5" x 54"	8'9"	11	58"	66"	25840	239.00
25.5" x 54"	10'	13	65"	79"	25140	260.00

### Optional Features:

- R-6 Insulation Panel
- Fire Resistant Door & Well Sides
- Weather Stripping
- Birch Panel Door 3/8" Thick
- 11 to 13 treads depending on height. Most competition have 9 or 11

# Attic Stairways

**HUSKY** Folding Stairways



Model 655

- Pre-drilled Installation Holes
- Full Width Heavy Duty Piano Hinge reaches across the entire width of stairway. Cuts out air leakage at head of stair and does not interfere with trim carpenter.
- Easy First Step Out of Attic for enhanced personal safety.
- Steel Ladder Rod Under Each Tread. 3/16" Ladder rod with large washers to keep HUSKY stairs rigid and prevent bending or separation under heavier loads.
- Selected Kiln Dried Southern Pine Lumber
- All wood parts selected for density and load bearing capability.
- Reinforced Door Panel
- Spacer and Runner Construction on Door to Prevent Warp.
- Molded Stringers, Handrail, and Treads
- Eased edges practically eliminate splinters & enhance finished millwork appearance.
- Safety Locknut to Secure Spring Arm to Ladder Section.
- Adjustable Spring Tension.
- Nuts, Bolts, and Hardware Plated or Painted to Prevent Rust, no welded hardware.
- Completely Assembled, ready to install with instructions supplied.

**For Residential Use Only.**

## Husky Model 655 and 655R6

- 1 x 6 Treads, 1 x 5 Stringer, 1 x 5 Frame, Rated 300 lbs.

Rough Opening	Ceiling Height	# of Treads	A Landing	B Projection	Model 655		Model 655 w/R-6 Ins.	
					Item	List	Item	List
22" x 48"	8'5"	10	56"	60"	Special	326.00	Special	368.00
22" x 54"	8'9"	11	58"	66"	22863	326.00	22866♦	377.00
22" x 54"	10'	13	65"	79"	22163	360.50	22166♦	411.50
22" x 60"	10'8"	13	70"	80"	22662*	491.00	Special	473.00
25.5" x 48"	8'5"	10	56"	60"	Special	350.00	Special	392.00
25.5" x 54"	8'9"	11	58"	66"	25863	350.00	Special	392.00
25.5" x 54"	10'	13	65"	79"	25163	378.50	Special	420.50
30" x 54"	8'9"	11	59"	66"	30863	378.50	Special	420.50
30" x 54"	10'	13	66"	79"	30163	392.00	Special	434.00
30" x 60"	8'9"	11	59"	66"	Special	428.00	Special	470.00
30" x 60"	10'	13	66"	79"	Special	447.50	Special	489.50
30" x 60"	10'8"	13	70"	80"	36662*	548.00	Special	530.00

Shaded Items = Special Order

♦ Also has weather stripping \*Stocked in 20 minute Fire Rated only

### Optional Features:

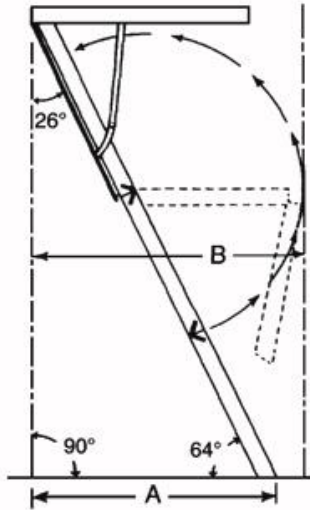
- R-6 Insulation Panel
- Fire Resistant Door & Well Sides
- Weather Stripping
- Birch Panel Door 3/8" Thick
- 11 to 13 treads depending on height. Most competition have 9 or 11



Effective 01/01/15  
Cancels 03/01/14

# Husky Aluminum Stairways

**HUSKY** Folding Stairways



Models 800 & 1200

- Strong, Lightweight Aluminum Folding Stairway
- Pre-drilled Installation Holes
- Full Width Heavy Duty Piano Hinge reaches across the entire width of stairway. That means far more strength and rigidity than any other stairway hinge now in use. Cuts out air leakage at head of stair and does not interfere with trim carpenter.
- Easy First Step Out of Attic for enhanced personal safety.
- All wood parts selected for density and load bearing capability.
- Reinforced Door Panel
- Spacer and Runner Construction on Door to Prevent Warpage.
- Molded Stringers, Handrail, and Treads
- Adjustable Feet with Rubber Tread.
- Safety Locknut to Secure Spring Arm to Ladder Section.
- Adjustable Spring Tension.
- Nuts, Bolts, and Hardware Plated or Painted to Prevent Rust, no welded hardware.
- Completely Assembled, ready to install with instructions supplied.

For Residential Use Only.

## Husky Models 800 and 1200

Model 800 - Aluminum Treads, Frame, and Handrail, Rated 350 lbs.						
Rough Opening	Ceiling Height	# of Treads	A Landing	B Projection	Item	List
22" x 54"	8'9"	9	58"	66"	Special	417.50
22" x 54"	10'	11	65"	79"	80221	440.00
25.5" x 54"	8'9"	9	58"	66"	Special	419.00
25.5" x 54"	10'	11	65"	79"	Special	446.00
30" x 54"	8'9"	9	59"	66"	Special	449.00
30" x 54"	10'	11	66"	79"	80301	476.00

Model 1200 - Aluminum Treads, Frame, and Handrail - R-6 Insulation Standard, Rated 350 lbs.						
Rough Opening	Ceiling Height	# of Treads	A Landing	B Projection	Item	List
22" x 66"	12'	13	81"	89"	12002266	806.00
25.5" x 66"	12'	13	81"	89"	Special	837.50
30" x 66"	12'	13	81"	89"	Special	921.50

Shaded Items = Special Order

### Optional Features:

- R-6 Insulation Panel (standard on Model 1200)
- Fire Resistant Door & Well Sides
- Weather Stripping
- Birch Panel Door 3/8" Thick (Model 800 only)
- 11 to 13 treads depending on height. Most competition have 9 or 11